

Specification big bags

Stock bags

Date 11-09-2023
Our article no.: 31843i
Your article no.:
Batch no.:

Classification: Type A
Model: 4 Panel
WL: 1100 kg
SF: NA
UV: YES, In compliance to ISO 21898 standard
Inner size: 116 x 145 x 96 cm
Outer size: 120x149x100cm
Fabric: Coated
Top: Closed. Side skirt 80 cm on one 116 cm side
Bottom: Closed
Dustproof: No

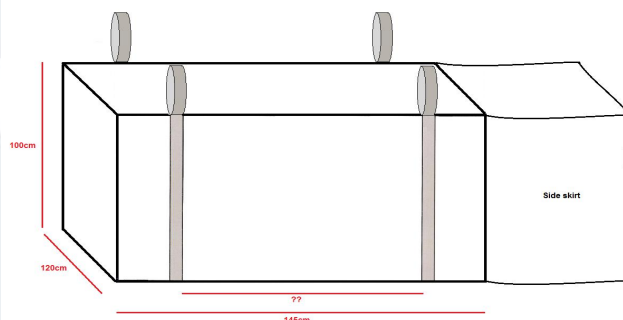
Lift style 4 loops attached on body FH: 30 cm + 10 cm unsewn
Lift color: white
Liner: No
Document pocket No

Print: Yes, 2 sides - ASBEST in black
Vacuum cleaning: No
Metal detection: No
Suitable for food: No

Nett weight each: app 2.84 kg

Otherwise:

Packaging: Packed on pallets
Body fabric: Polypropylene
Loop material: Polypropylene
Yarn: Polypropylene
Document pocket material: Polyethylene



® Specification on big bags cannot be handed over to a third party without written permission from Bluepack A/S